

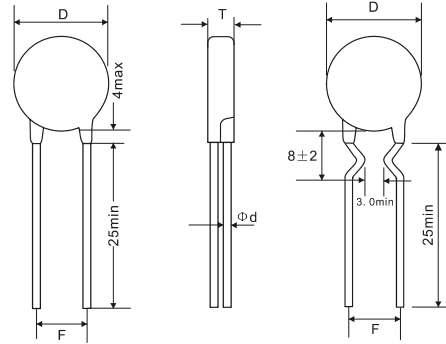
Characteristics

1. MF72 series is resin coated pin parts.
2. Small size, high power, good for restraining surge current.
3. Quick response.
4. Large B constant, low residue resistance.
5. Long life, high reliability.
6. Complete parts, broad operating range.

Application

1. Switch power, UPS power.
2. Energy saving lights, electronic ballast.
3. Electron circuit, power circuit, etc.

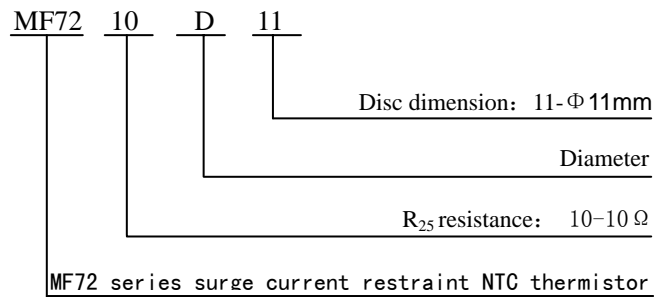
Dimension (Unit: mm)



Straight pins

Inner kinked pins

Part number explanation



Data sheet

Part number	Resistance R ₂₅ (Ω)	Max. stable current (A)	Approx. resistance at max. current (Ω)	Dissipation coefficient (mW/°C)	Thermal time constant (s)	Operating temperature (°C)	Dimension (mm)			
							D±2	Tmax	F±1	Φd
MF72-5D5	5	1	0.353	6	20	-55~+200	6.5	5	5/2.5	0.6/0.45
MF72-10D5	10	0.7	0.771	6	20		6.5	5	5/2.5	0.6/0.45
MF72-60D5	60	0.5	1.878	6	18		6.5	5	5/2.5	0.6/0.45
MF72-200D5	200	0.1	6.259	6	18		6.5	5	5/2.5	0.6/0.45
MF72-5D7	5	2	0.283	10	30		8.5	5	5	0.6
MF72-8D7	8	1	0.539	9	28		8.5	5	5	0.6
MF72-10D7	10	1	0.616	9	27		8.5	5	5	0.6
MF72-22D7	22	0.6	1.108	9	27		8.5	5	5	0.6
MF72-33D7	33	0.5	1.485	10	28		8.5	5	5	0.6
MF72-200D7	200	0.2	6.233	11	28		8.5	5	5	0.6
MF72-3D9	3	4	0.120	11	35		10.5	5.5	7.5/5	0.8/0.6
MF72-5D9	5	3	0.210	11	34		10.5	5.5	7.5/5	0.8/0.6
MF72-8D9	8	2	0.400	11	32		10.5	5.5	7.5/5	0.8/0.6
MF72-10D9	10	2	0.458	11	32		10.5	5.5	7.5/5	0.8/0.6



MF72-16D9	16	1	0.802	11	31	-55~+200	10.5	5.5	7.5/5	0.8/0.6
MF72-20D9	20	1	0.864	11	30		10.5	5.5	7.5/5	0.8/0.6
MF72-22D9	22	1	0.950	11	30		10.5	5.5	7.5/5	0.8/0.6
MF72-33D9	33	1	1.124	11	30		10.5	5.5	7.5/5	0.8/0.6
MF72-60D9	60	0.8	1.502	11	30		10.5	5.5	7.5/5	0.8/0.6
MF72-200D9	200	0.5	5.007	11	32		10.5	5.5	7.5/5	0.8/0.6
MF72-2.5D11	2.5	5	0.095	13	43		12.5	5.5	7.5/5	0.8/0.6
MF72-5D11	5	4	0.156	13	45		12.5	5.5	7.5/5	0.8/0.6
MF72-8D11	8	3	0.255	14	47		12.5	5.5	7.5/5	0.8/0.6
MF72-10D11	10	3	0.275	14	47		12.5	5.5	7.5/5	0.8/0.6
MF72-16D11	16	2	0.470	14	50		12.5	5.5	7.5/5	0.8/0.6
MF72-22D11	22	2	0.563	15	52		12.5	5.5	7.5/5	0.8/0.6
MF72-33D11	33	1.5	0.734	15	52		12.5	5.5	7.5/5	0.8/0.6
MF72-60D11	60	1.5	1.215	15	52		12.5	5.5	7.5/5	0.8/0.6
MF72-1.3D13	1.3	7	0.062	13	60		14.5	6	7.5	0.8
MF72-1.5D13	1.5	7	0.073	13	60		14.5	6	7.5	0.8
MF72-2.5D13	2.5	6	0.088	13	60		14.5	6	7.5	0.8
MF72-3D13	3	6	0.092	14	60		14.5	6	7.5	0.8
MF72-5D13	5	5	0.125	15	68		14.5	6	7.5	0.8
MF72-8D13	8	4	0.194	15	60		14.5	6	7.5	0.8
MF72-10D13	10	4	0.206	15	65		14.5	6	7.5	0.8
MF72-15D13	15	3	0.335	16	60		14.5	6	7.5	0.8
MF72-16D13	16	3	0.338	16	60		14.5	6	7.5	0.8
MF72-47D13	47	2	0.810	17	65		14.5	6	7.5	0.8
MF72-1.3D15	1.3	8	0.048	18	68		16.5	6	10/7.5	0.8
MF72-1.5D15	1.5	8	0.052	19	69		16.5	6	10/7.5	0.8
MF72-3D15	3	7	0.075	18	76		16.5	6	10/7.5	0.8
MF72-5D15	5	6	0.112	20	76		16.5	6	10/7.5	0.8
MF72-8D15	8	5	0.178	20	80		16.5	6	10/7.5	0.8
MF72-10D15	10	5	0.180	20	75		16.5	6	10/7.5	0.8
MF72-15D15	15	4	0.268	21	85		16.5	6	10/7.5	0.8
MF72-16D15	16	4	0.276	21	70		16.5	6	10/7.5	0.8
MF72-47D15	47	3	0.680	21	86		16.5	6	10/7.5	0.8
MF72-0.7D20	0.7	12	0.018	25	89		21.5	7	10/7.5	1.0
MF72-1.3D20	1.3	9	0.037	24	88		21.5	7	10/7.5	1.0
MF72-3D20	3	8	0.055	24	88		21.5	7	10/7.5	1.0
MF72-5D20	5	7	0.087	23	87		21.5	7	10/7.5	1.0
MF72-8D20	8	6	0.142	25	105		21.5	7	10/7.5	1.0
MF72-0.7D25	0.7	13	0.014	30	120		26.5	8	10	1.0
MF72-1.5D25	1.5	10	0.027	30	121		26.5	8	10	1.0
MF72-3D25	3	9	0.044	32	124	26.5	8	10	1.0	
MF72-5D25	5	8	0.070	32	125	26.5	8	10	1.0	